

JC100 Wuhlf Skid Steer Loader

Technical Data:

Specifications

Operating Weight 3550kg
 Bucket Capacity 0.55m³
 Dumping Angle 40°
 Rated Load Capacity 1200kg
 Max Climbing Gradient 30°

Traveling Speed Max Travel Speed 12km/h

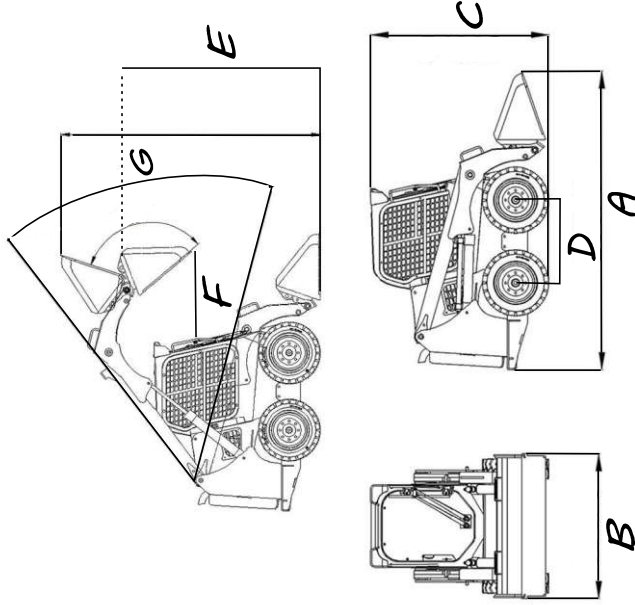
Engine Type 4cyl Diesel
 Rated Power 75kw
 Model Weichai WP4.1

Tyres Standard Size 12-16.5

Tank Capacities Fuel Tank 90 ℓ
 Hydraulic Oil Tank 90 ℓ

Working Hydraulics Danfoss Manual Servo Hydraulic Pump
 Danfoss Hydraulic Pump
 Hydraulic Pump Flow (120L/min)

Brake System Hydraulic Brake System



A	Overall Length	3580mm
B	Overall Width	1880mm
C	Overall Height	2160mm
D	Wheel Base	1115mm
E	Max Dumping Height	2400mm
F	Max Reach	700 mm
G	Height at Max Extension	4070mm

