

JC45 Wuhlf Skid Steer Loader

Technical Data:

Specifications

Operating Weight 3100kg
 Bucket Capacity 0.4m³
 Dumping Angle 40°
 Rated Load 700kg
 Max Climbing Gradient 30°

Traveling Speed Max Travel Speed 12km/h

Engine

Type 4cyl Diesel
 Rated Power 37kw
 Model Xinchai C490BPG

Tyres Standard Size 10-16.5

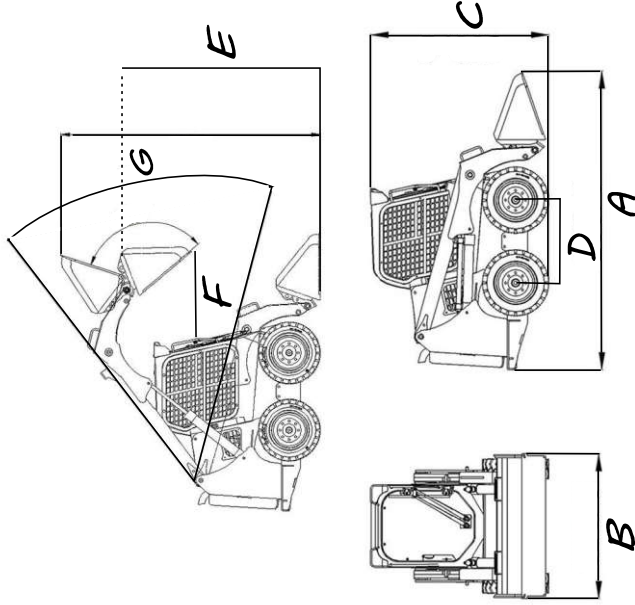
Tank Capacities

Fuel Tank 65 ℓ
 Hydraulic Oil Tank 65 ℓ

Working Hydraulics

Sauer-Danfoss Hydraulic Pump
 Eaton Hydraulic Pump
 Hydraulic Pump Flow (L/min) 75

Brake System Hydraulic Brake System



<i>A</i>	Overall Length	3420mm
<i>B</i>	Overall Width	1740mm
<i>C</i>	Overall Height	2050mm
<i>D</i>	Wheel Base	991 mm
<i>E</i>	Max Dumping Height	2380 mm
<i>F</i>	Max Reach	750mm
<i>G</i>	Height at Max Extension	3980mm

