

# JC660 Wuhlf

## Skid Steer Loader

### Technical Data:

*Specifications*

Operating Weight 3240kg  
 Bucket Capacity 0.5m<sup>3</sup>  
 Dumping Angle 40°  
 Rated Load 850kg  
 Max Climbing Gradient 30°

*Traveling Speed* Max Travel Speed 12km/h

*Engine*

Type 4cyl Diesel  
 Rated Power 45kW  
 Model Xinchai A498BPG

*Tyres* Standard Size 12-16.5

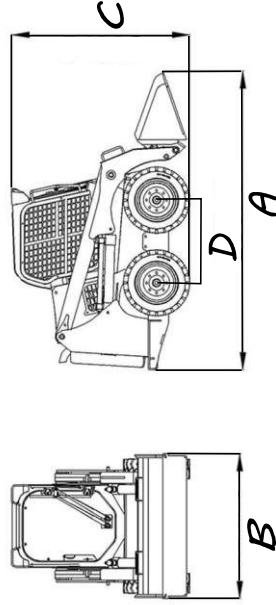
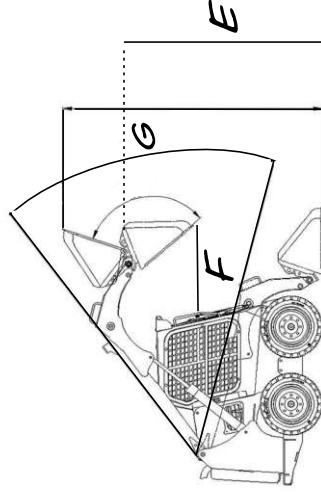
*Tank Capacities*

Fuel Tank 80 l  
 Hydraulic Oil Tank 80 l

*Working Hydraulics*

Sauer-Danfoss Hydraulic Pump  
 Eaton Hydraulic Pump  
 Hydraulic Pump Flow (L/min) 75

*Brake System* Hydraulic Brake System



<b>A</b>	Overall Length	3490mm
<b>B</b>	Overall Width	1880mm
<b>C</b>	Overall Height	2160mm
<b>D</b>	Wheel Base	991 mm
<b>E</b>	Max Dumping Height	2400mm
<b>F</b>	Max Reach	750 mm
<b>G</b>	Height at Max Extension	4000mm

