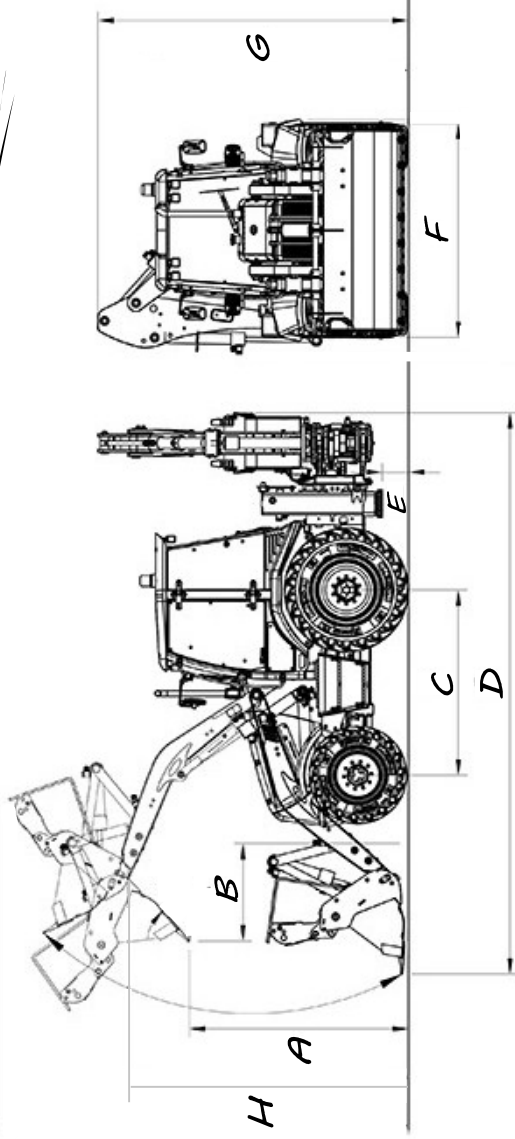


JX450 Bachhoe Loader

Technical Data:



A	Maximum Dump Clearance	2610mm
B	Dumping Reach	1062mm
C	Wheel Base	2200mm
D	Overall Length	5919mm
E	Min Ground Clearance	370mm
F	Overall Width	2300mm
G	Overall Height	3460mm
H	Max Dumping Height	3400mm

Loader Bucket Capacity	1.0m ³
Backhoe Bucket Capacity	0.3m ³
Breakout Force	38kn
Min Turn Radius	6581mm
Load Lifting Capacity	2.5 Ton
Max Digging Depth	4082mm

Specifications

Forward Low	8 km/ph
Forward High	24 km/ph
Reverse Low	8 km/ph
Reverse High	16 km/ph

Traveling Speed

Type	4cyl Diesel
Rated Power	75kw
Rated Speed	2400rpm
Model	Yuchai

Engine

Front Tyre Size	14-17.5
Rear Tyre Size	19.5L-24

Tyres

Fuel Tank	145 l
Hydraulic Oil Tank	145 l
Engine Oil	20 l
Gear Box	20 l
Diff Oil	30 l

Tank Capacities

Transmission	Type	Hydraulic Torque Co
--------------	------	---------------------

Steering

Steering	Type	Front Wheel Hydraul steering
----------	------	------------------------------

Working Hydraulics	System Type	Hydraulic Joystick C
	Working System Pressure	12mpa
	Bucket Delivery Time	5.4s

Brake System	Foot brake Type	Dry Brake System
--------------	-----------------	------------------

