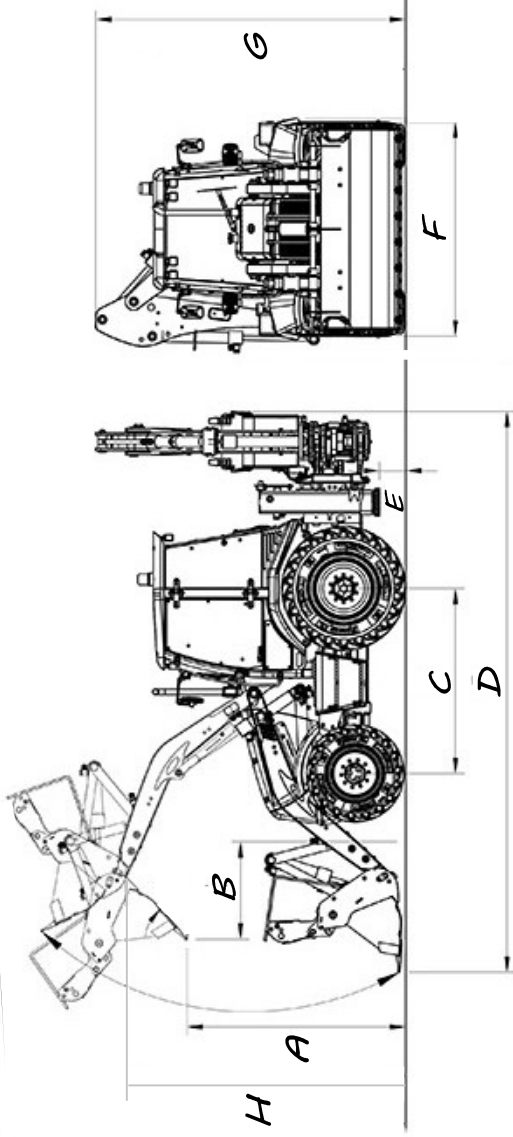


WZ45

Backhoe Loader

Technical Data:



A	Maximum Dump Clearance	2500mm
B	Dumping Reach	1330mm
C	Wheel Base	2070mm
D	Overall Length	5500mm
E	Min Ground Clearance	390mm
F	Overall Width	2130mm
G	Overall Height	2850mm
H	Max Dumping Height	3300mm

Specifications Backhoe Parameter

Backhoe Bucket Capacity	0.2m ³
Max Digging Depth	2240mm
Bucket Width	295mm
Raising Height	3650mm
Max Digging Distance	3580mm
Turning Angle of Backhoe	160°
Landing Legs Up Width	2190mm

Specifications Loader Parameter

Dumping Height	3000mm
Min Turn Radius	4800mm
Dumping Reach	930mm
Rated Loading Weight	1.6 Ton
Bucket Capacity	0.6m ³
Dumping Clearance	2450mm
Bucket Width	1780mm

Engine

Type	4cyl Diesel
Rated Power	42kW
Model	Yn7

Tyres

Front Tyre Size	20.5-70/16
Rear Tyre Size	20.5/70-16

Tank Capacities

Fuel Tank	100L
Hydraulic Oil Tank	100L

