

ZA16 Front End Loader

Specifications	Rated Load Bucket Capacity Lifting Time Min Turn Radius Max Climbing Gradient	1.6 Ton 0.8m ³ 4s 5000mm 30°
-----------------------	---	---

Engine	Type Rated Power Model	4cyl Diesel 42kw Yunnei 490
---------------	------------------------------	-----------------------------------

Tyres	Standard Size	20.5/70-16
--------------	---------------	------------

Transmission	Type	265 Integral H/L Speed
---------------------	------	------------------------

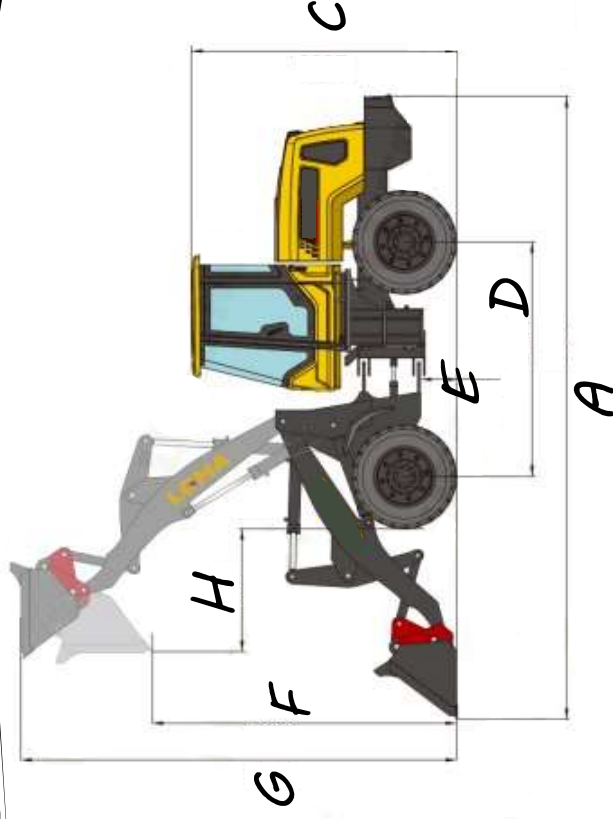
Articulation	Type	Full Hydraulic Articulated Steering Frame
---------------------	------	---

Working Hydraulics	Lifting Time Falling Time Total Cycling Time	4s 3s 10s
---------------------------	--	-----------------

Brake System	Operating Type Brake Booster Pump	Mechanical Single Joystick Two-Way Air Brake
---------------------	--------------------------------------	---



Technical Data:



A	Overall Length	5730mm
B	Overall Width	1830mm
C	Overall Height	2730mm
D	Wheel Base	2260mm
E	Min Ground Clearance	210mm
F	Max Dumping Height	3200mm
G	Max Lifting Height	3890mm
H	Max Dumping Distance	1050mm