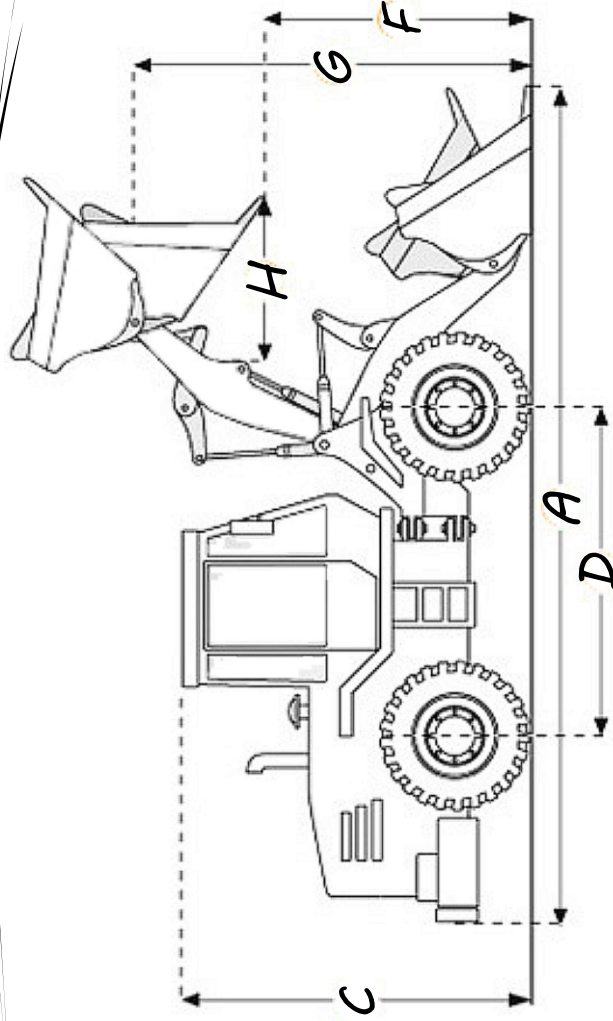


ZA25 Eland Front-end Loader

Technical Data:



A	Overall Length	6800mm
B	Overall Width	2115mm
C	Overall Height	2990mm
D	Wheel Base	2625mm
E	Min Ground Clearance	460mm
F	Max Dumping Clearance	3500mm
G	Max Dumping Height	4170mm
H	Dumping Reach	1360mm

Rated Load	2.5 Ton
Bucket Capacity	1.4m ³
Raising Time	5.4s
Max Breaking Force	86kn
Max Drawing Force	55kn
Max Climbing Gradient	30°
Min Turn Radius	7800mm

Specifications

1st Gear	0 - 10km/h
2nd Gear	0 - 22km/h
Reverse 1str	0 - 10 km/h
Reverse 2nd	0 - 22km/h

Traveling Speed

Rated Power	92kw
Rated Speed	2200rpm
Model	WP6G125E22

Engine

Standard Size	17.5—25
Front Pressure	0.343mpa
	0.294mpa

Tyres

Fuel Tank	83 ℓ
Hydraulic Oil Tank	44 ℓ
Engine Oil	20 ℓ
Gear Box	45 ℓ
Axle and Final Reducer	28 ℓ
Brake System	4 ℓ

Tank Capacities

Type	Power shift transmission
Main Valve Pressure starts	1.20—1.40mpa
Flow Valve Pressure starts	0.50—0.60mpa

Transmission

Type	Full Hydraulic articulated frame steering
Steering angle	30°

Articulation

System Type	Open Circuit
Working System Pressure	16mpa
Bucket Delivery Time	1.1s

Working

Hydraulics

Brakes	Hydraulic
Foot brake Type	Air assisted

Brake System